

OSB 12

Swimming Starting Block

User's Manual

3454.507.02

Version 1.4

Edition March 2020

Caution and safety precautions

- Never use any other charger than the supplied or a type approved by Swiss Timing. This could destroy the battery, cause damage to unit, and possible cause personal injury due to fire or/and electrical shock.
- Never bypass a power cord ground lead by breaking off the ground pin, or by using inappropriate extension cords or adapters.
- Never plug a power cord into the AC power source until you have made sure that all installation, cabling and power levels, are proper, and that the applicable procedures in this manual have been followed.
- Protect the equipment against splashing, rain and excessive sun rays.
- Never use the device if it is damaged or insecure.
- Verify the selection of the power distribution.
- Verify that the voltage quoted on the rating plate is the same as your voltage. Connect the appliance only to power sockets with protective earth. The use of incorrect connection voids warranty.
- This program may be modified at any time without prior notification.
- Do not open the case; there is nothing that needs servicing inside it. Nevertheless, if the case must be opened, you must call for some qualified personnel. The power supply cable must be disconnected before opening the case.
- During the transport of all Swiss Timing equipment delivered with a reusable carry case, the said case should be used at all times. This is imperative to limit the damage, such as shocks or vibration that can be caused to the units during transport.
- The same cases should also be used when returning equipment to Swiss Timing for repair. Swiss Timing reserves the right to refuse all guarantees if this condition is not fulfilled.
- If the installation includes a horn, be sure to maintain a sufficient security distance from the public.

Documentation Updates

Swiss Timing Ltd. reserves the right to make improvements in the products described in this documentation at any time without prior notice. Furthermore, Swiss Timing Ltd. reserves the right to revise this documentation in its content at any time and without any obligation to notify any person or organization of such revision.

Disclaimer

The information provided in this documentation has been obtained from sources believed to be reliable, accurate and current. However, Swiss Timing Ltd. makes no representation or warranty, express or implied, with respect, but not limited to, the completeness, accuracy, correctness and actuality of the content of this documentation. Swiss Timing Ltd. specifically disclaims any implied warranty of merchantability, quality and/or fitness for any particular purpose. Swiss Timing Ltd. shall not be liable for errors contained in this documentation or for incidental or consequential damages in connection with the supply, performance or use of this documentation.

Environment



This symbol indicates that this product should not be disposed with household waste. It has to be returned to a local authorized collection system. By following this procedure you will contribute to the protection of the environment and human health. The recycling of the materials will help to conserve natural resources.


Copyright

© Swiss Timing Ltd.

All rights reserved.

This documentation may not, as a whole or in part, be copied, translated, reproduced, transmitted or reduced and/or stored to any electronic medium or machine-readable form without the prior written consent of Swiss Timing Ltd.

TABLE OF CONTENTS

1	INTRODUCTION.....	1
1.1	Construction of the OSB12-RBD starting platform (Relay Break Detection)	2
1.2	Construction of the OSB12 starting platform simple	2
1.3	Fixation material for the platform.....	3
2	INSTALLATION.....	4
2.1	Fixation of the OSB12 platform	4
3	TECHNICAL CHARACTERISTICS OF THE OSB12-SW WITH RELAY BREAK DETECTION (RBD) AND WITHOUT START CONTROL	5
4	CONTROL AND MAINTENANCE OF THE STARTING PLATFORM	6
4.1	Control without application of pressure	6
4.2	Pressure sensitivity control	6
4.3	Connection to the timing system	6
4.4	Service	7
4.5	Troubleshooting (detection of a short circuit)	7
4.6	Troubleshooting (no contact)	7
4.7	Sensitivity adjustment	7
4.8	Dismantling of the footrest	8
5	PREVENTION AND MAINTENANCE 	10
6	APPENDIX.....	10
6.1	Version history	12

1 INTRODUCTION

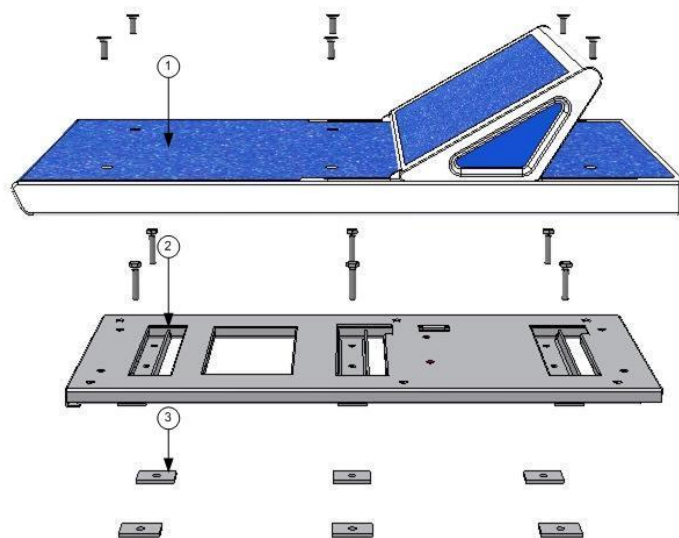
OBS12 presents a powerful new patented feature, revolutionising the way the swimmers start from their blocks. Diving from the starting block with the body propelled by the knee at a 90° angle drastically increases the explosiveness of the start. Physical tests undertaken by top level swimmers showed faster races versus a standard block.

OSB12 starting blocks have been tested by world-class swimmers, who have helped to specify the optimum angles of both the platform and the footrest for racing starts. Design research also applied to the top surfaces, very comfortable yet rough enough to guarantee the swimmer a feeling of total security. The length of the platform is extended to 74cm to accommodate to the new styles of start.

OSB12 starting blocks benefit from a new design and an attractive color scheme.

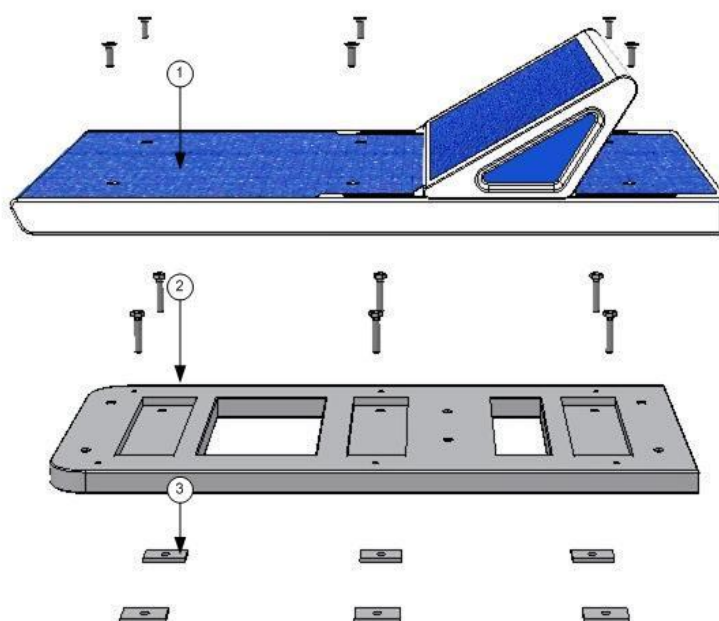
1.1 Construction of the OSB12-RBD starting platform (Relay Break Detection)

1. 3454.041 OSB12 Platform
2. 3454.600 RBD (Relay Break Detection)
3. 3393.024 Intermediate plate



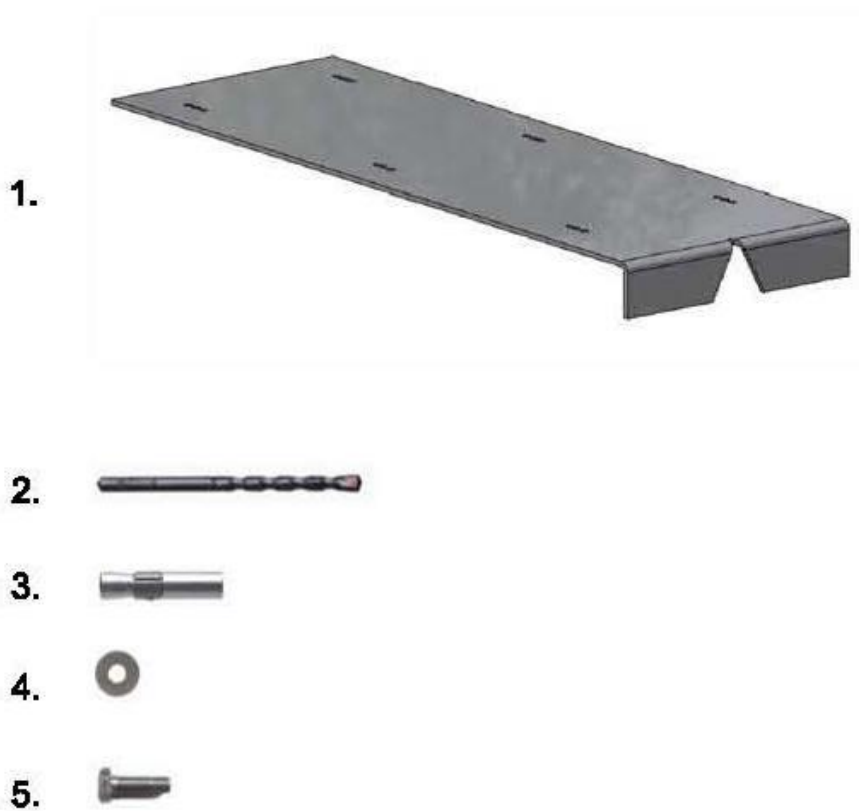
1.2 Construction of the OSB12 starting platform simple

1. 3454.041 OSB12 Platform
2. 3454.019 Intermediate plate
3. 3393.024 Intermediate plate



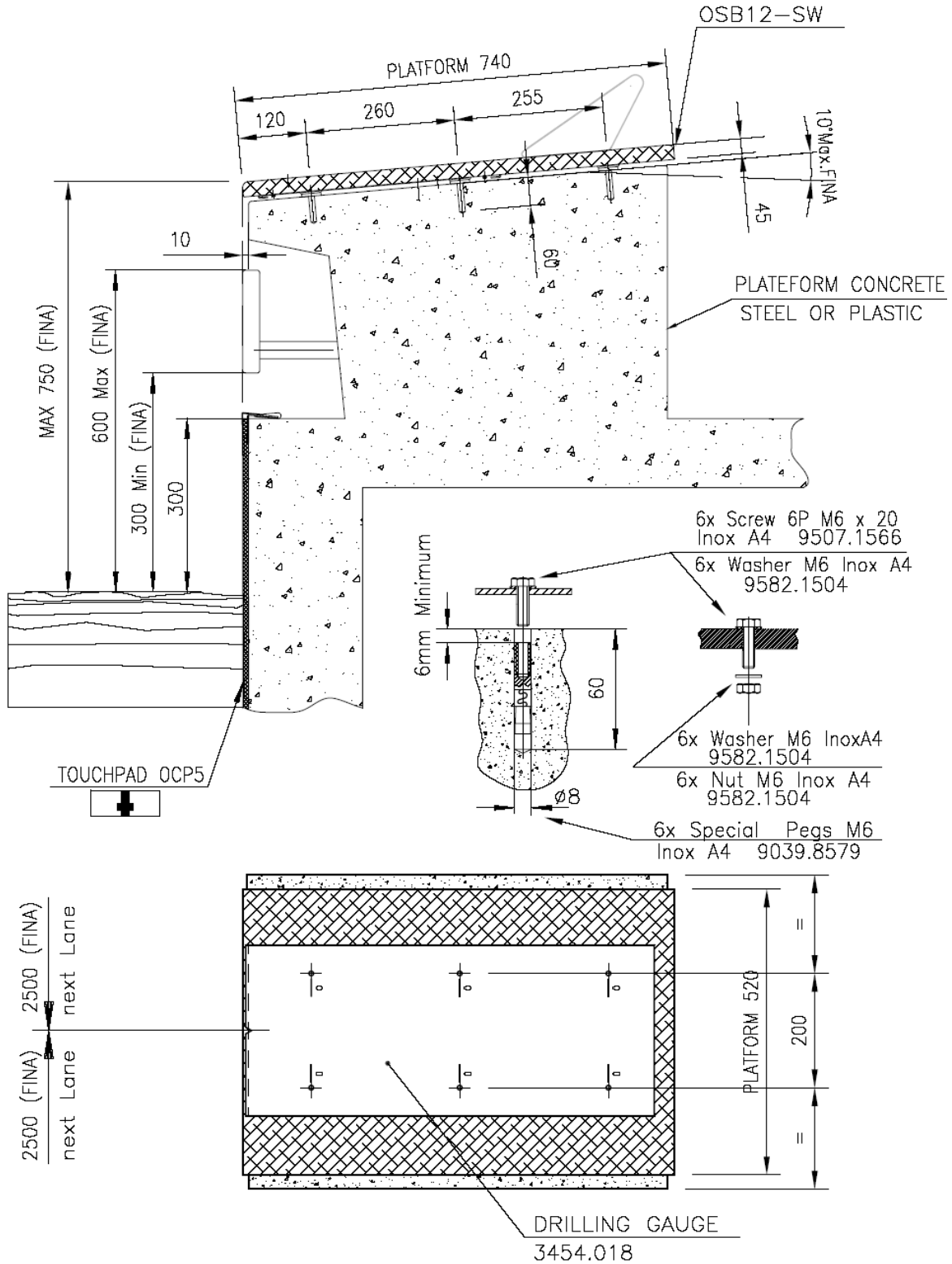
1.3 Fixation material for the platform

1. 3454.018 Drilling gauge
2. 9051.9806 Drill $\varnothing 8$
3. 9039.8579 Pegs M6 x 15 (6x)
4. 9582.1504 Stainless steel washer M6 (6x)
5. 9507.1566 Hexagon head stainless steel screw M6 x 20 (6x)



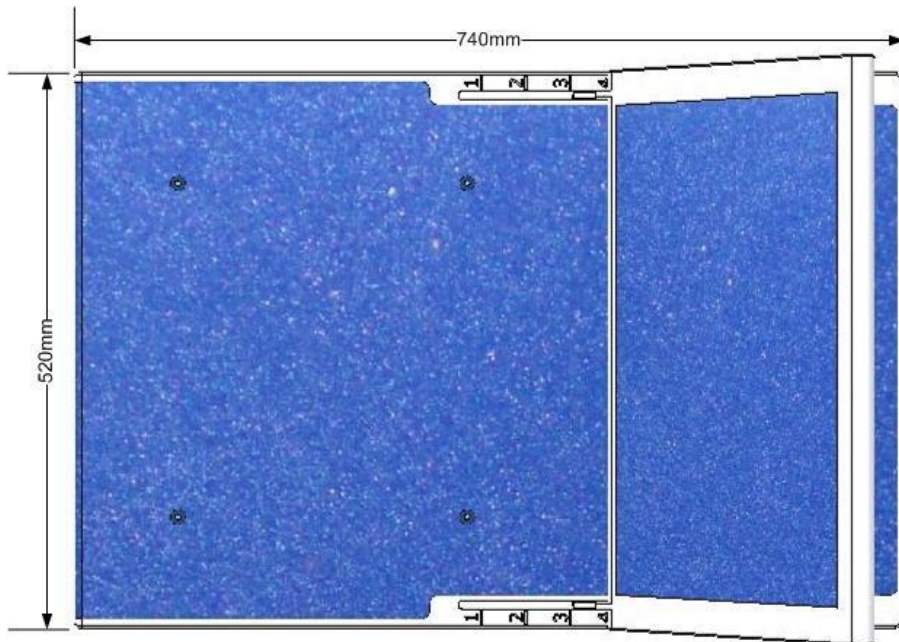
2 INSTALLATION

2.1 Fixation of the OSB12 platform



3 TECHNICAL CHARACTERISTICS OF THE OSB12-SW WITH RELAY BREAK DETECTION (RBD) AND WITHOUT START CONTROL

	OSB12-RBD	OSB12-Simple
DIMENSIONS	<i>Plateform 740mm x 520mm x 38mm (165mm with footrest)</i>	
WEIGHT (KG)	21.2	19.5
COLOURS	Platform white RAL 9010 with non-skidding surface dark blue RAL 5002 / RAL 5017 since 2019	
CONTACT	Closing at the moment of the start (NO)	
ACTION FORCE	13.0 Kg à 18.0Kg	
CONNECTION	Cable with 2-pole plug (length ~140cm)	



4 CONTROL AND MAINTENANCE OF THE STARTING PLATFORM

4.1 Control without application of pressure

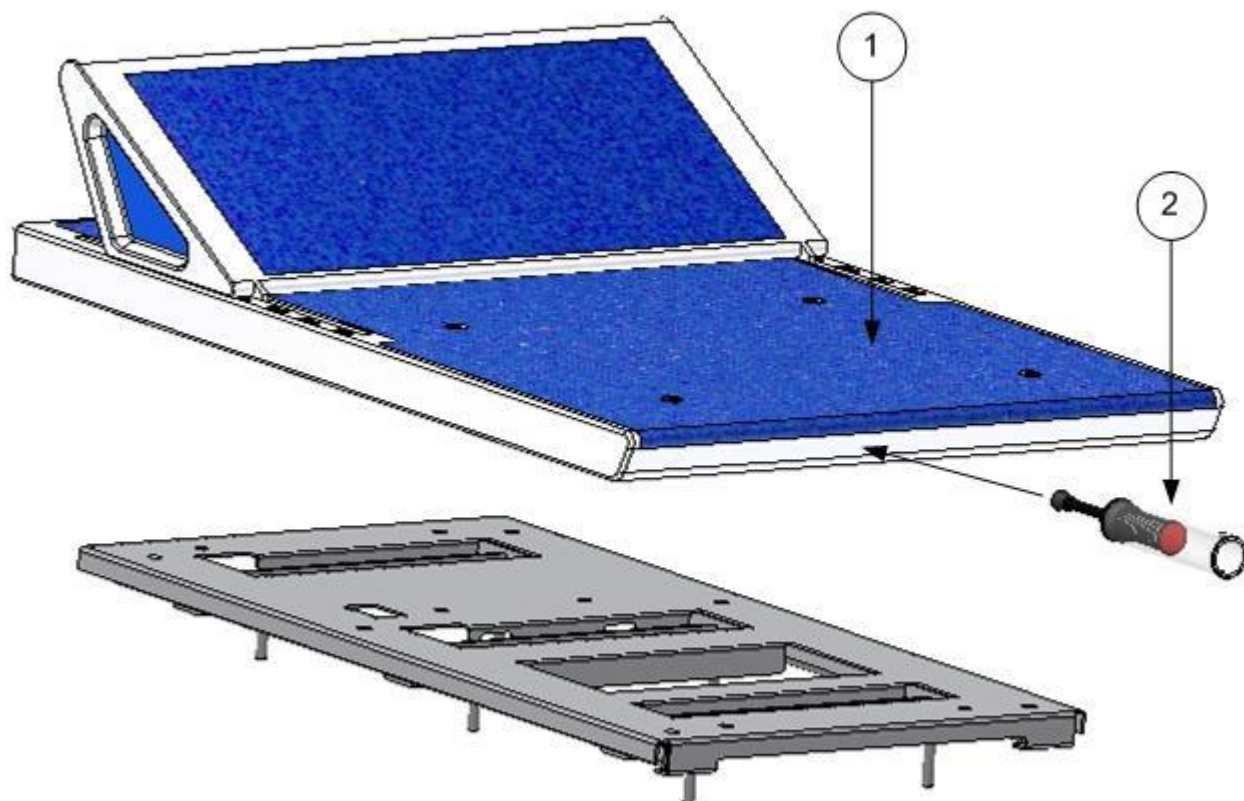
Connect the buzzer to the connection cable. If there is no pressure on the platform (1), the buzzer remains silent. If the buzzer emits a sound, proceed as described in paragraph 4.5.

4.2 Pressure sensitivity control

Press with the Dynamometer (2) against the middle of the platform (1). Read on the Dynamometer (2) the pressure necessary to activate the buzzer. If the sensitivity is out of the range of 13kg and 18kg, see paragraph 4.7.

4.3 Connection to the timing system

If a satisfactory result has been obtained in test 4.1 and 4.2, connect the connection cable to the timing system.



4.4 Service

- Once a month: clean the starting platform with soft water and remove the outside sediments of oxidation.
- Every 6 months: check cable connections.
- Once a year: check rigidity of platform and footrest fixation.

4.5 Troubleshooting (detection of a short circuit)

If the buzzer emits a sound while there is no pressure on the platform, proceed as follows:

- Unscrew the 4 nuts M8 on the platform (1).
- Remove platform (1) and connect the buzzer to the connection cable.
- Insert a screwdriver into the 2 holes of the lower frame and unscrew each of the adjustment screws until they do not touch the contact head any more.

If the sound continues, verify if there is a short circuit on the cable or between the fixed and mobile frame (mechanical or electrical connection).

4.6 Troubleshooting (no contact)

If the buzzer does not emit a sound during the sensitivity adjustment, proceed as follows:

- Make sure that the platform and the RBD are correctly assembled, there must be a visible movement.
- Make sure that the 2 adjustment screws are not too far apart.

4.7 Sensitivity adjustment

If the sensitivity is out of the range of 13kg and 18kg (as indicated in paragraph 4.2), make an adjustment by proceeding as follows:

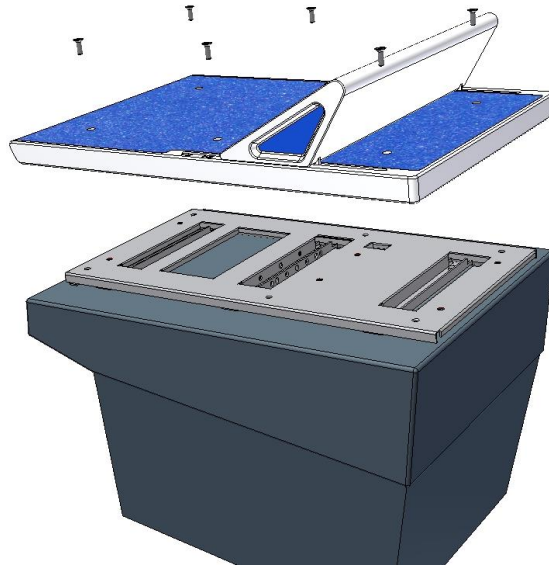
- Remove platform and connect the buzzer.
- Insert a screwdriver in one of the holes of the lower frame (4) then screw the adjustment screw (6), facet after facet of the hexagonal head until the buzzer emits a sound.
- Unscrew the adjustment screw by turning it 4 facets backwards (0,16mm/facet).
- Adjust the second screw in the same way.
- Make a test with the Dynamometer (2) by pushing or pulling the upper frame.
- If the measured pressure is higher than 18kg, continue screwing the screw in and test at every facet).
- If pressure is lower than 13kg, unscrew and test at every facet).
- Reassemble platform (1) and the 4 nuts and washers M8.

It is recommended to proceed systematically with the adjustment to obtain a regular play between the 2 contacts.

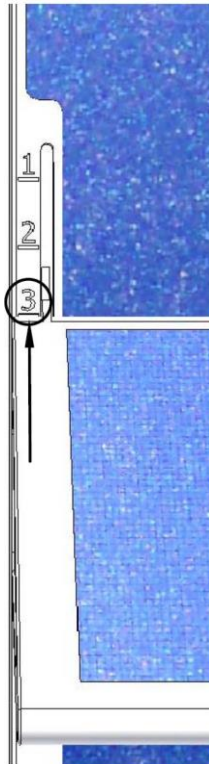
4.8 Dismantling of the footrest

Instruction for dismantling the footrest

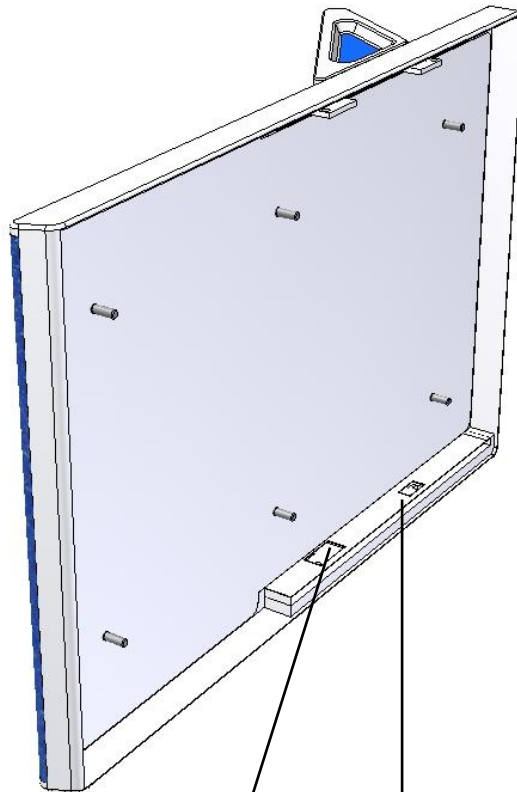
- Unscrew the platform by removing the 6 screws located on the platform.



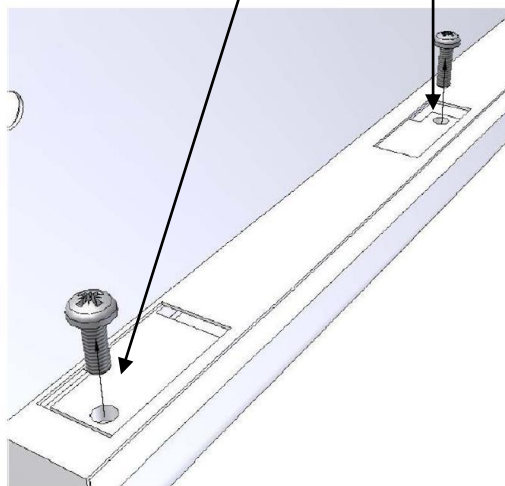
- Position the footrest on number 3 to access the screws between the footrest and the guides.



- Rotate the top to access the lateral screws.



- Unscrew the 4 screws (2 on each side).





- Pull to remove the footrest then remove the guides.
- To reassemble the footrest, start from this point and follow the instructions backwards.

5 PREVENTION AND MAINTENANCE

Equipment installed in aquatic complex, often sealed with a high moisture level, require special attention in regards to their maintenance. In fact, the stainless steel parts found on ladders, fences or swimming starting blocks can have corrosion if they are not frequently cleaned.

Stainless steel is an excellent product that needs to be very clean to keep its stainless quality.

MAINTENANCE	 <p>When you receive your new equipment, it is important to establish a maintenance program to avoid the stainless steel parts to deteriorate. Indeed, lack of maintenance can make the chromium oxide film inefficient, which could cause corrosion on your equipment. A dirty surface is the biggest ally of corrosion and your biggest enemy.</p> <p>Dirt, grease and deposit left by users or by contaminated water deposit must be removed by cleaning the surface with fresh water (do not use the pool's water) and wiped, if possible, with a clean dry cloth.</p> <p>A basic cleaning of the starting blocks' inner and outer surfaces (without disassembling) must be done regularly, preferably every week.</p> <p>A thorough cleaning with removal of the top (see manual) must be done regularly, several times a year, depending on the degree of contamination of the stainless steel. You must pay extra attention to the RBD (Relay Break Detection) and the handles (backstroke ledge).</p> <p>Concerning dismantling, it is imperative to use tools that are specially designed for stainless steel. Applying a hydrophobic (insoluble in water) silicone type B 431 also increases the protection of the sensitive areas of the OSB14 against corrosion.</p> <p>A tube of this silicone is provided with each mounting set and must be used in case it is dispersed and after each thorough cleaning or rehabilitation.</p>
REMEDIACTION	 <p>If your equipment is already showing significant dirt deposits, you need to get rid of them in order that the oxygen from the air gets in contact with the chromium in the stainless steel to form the protective chromium oxide film.</p> <p>A thorough cleaning with fresh water should be sufficient. If some dirt remains, rub with a nylon pad or a cotton cloth. Make sure the pad you use is not rough to prevent it damaging the protective film or the aesthetic finish of the product.</p> <p>After a thorough cleaning, clean the stainless steel with fresh water twice a week during a few months and then decrease the frequency.</p>



Never use a metal brush, steel wool, emery paper or any abrasive material to clean. Indeed, stainless steel would be contaminated by a large quantity of undesirable particles which inevitably would cause rust stains.



OSB properly maintained



OSB poorly maintained

REMINDER

- A weekly **basic cleaning** is required.
- A **thorough cleaning** must be done regularly, several times a year.
- You must use **fresh water** for cleaning.
- Never use abrasive material to clean the stainless steel parts.
- Drying the stainless steel parts must be done using a clean dry cloth.
- Use specially dedicated stainless steel tools for dismantling the starting blocks.
- Applying a hydrophobic silicone type B431 increases the protection of the sensitive areas against corrosion.

6 APPENDIX

6.1 Version history

Version	Date	Modifications since last version
1.0	05/11/09	Initial version
1.1	20/02/14	Addition of chapter 5 Prevention and Maintenance
1.2	24/04/14	Correction action force chapter 3, 4.2 and 4.7
1.3	26/06/14	Improvement of prevention and maintenance chapter (addition of silicon type B 431)
1.4	18/03/20	New blue RAL5017

NOTES

